

# SHIPPENSBURG SHOPPING CENTER WALNUT BOTTOM RD. & AIRPORT RD.



## DEMOGRAPHICS

	3 Mile	5 Miles	7 Miles
Population	14,547	22,983	55,229

## HIGHLIGHTS

- Walnut Bottom Road has 14,000 VPD
- Exception Visibility along Walnut Bottom Road
- Adjacent to the Walmart

JOIN



Marshalls



STARBUCKS



SHOE DEPT.  
ENCORE

TSC TRACTOR  
SUPPLY CO

## AVAILABLE SPACE

1,600 SF • 4,218 SF • 3,780 SF  
2,320 SF — DRIVE THRU WINDOW

## LOCATION

- Located within the heart of the retail corridor in fast growing Shippensburg Market.
- Great Access to I-81 (52,000VPD) and less than 1 mile from Shippensburg University
- Immense growth over the past 10 years, including the development of Proctor & Gamble's 1.7 million square foot distribution facility
- Parx Casino, 73,000 SqFt facility, is set to open across the street from the center in 2022



## POMEGRANATE RE

33 Rock Hill Road, Suite 350  
Bala Cynwyd, PA 19004

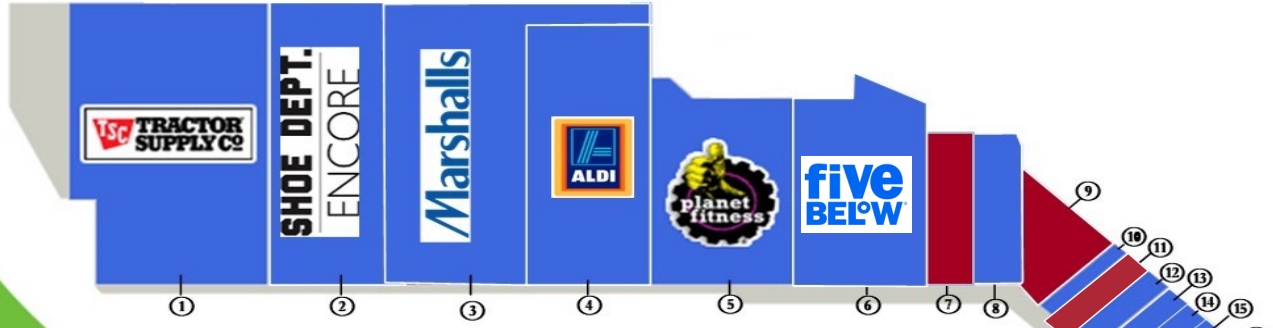
Karen Martin  
Phone: (717) 848-6136  
E-Mail: karen@pomre.com



Pomegranate  
REAL ESTATE  
POMRE.COM



# SHIPPENSBURG SHOPPING CENTER



TENANTS	
1	Tractor Supply Co 23,316 SF
2	Shoe Detpt. Encore 13,436 SF
3	Marshalls 24,626 SF
4	Aldi 21,388 SF
5	Planet Fitness 15,113 SF
6	Five Below 11,465 SF
7	AVAILABLE 4,218 SF
8	El Mariachi 4,218 SF
9	AVAILABLE 3,780 SF
10	Puff-N-Snuff 1,352 SF
11	AVAILABLE 1,600 SF
12	Brothers 1,600 SF
13	Sakura 1,600 SF
14	Sprint 1,600 SF
15	Great Clips 1,600 SF
16	AVAILABLE -Drive Thru 2,320 SF
17	Starbucks 2,100 SF



## POMEGRANATE RE

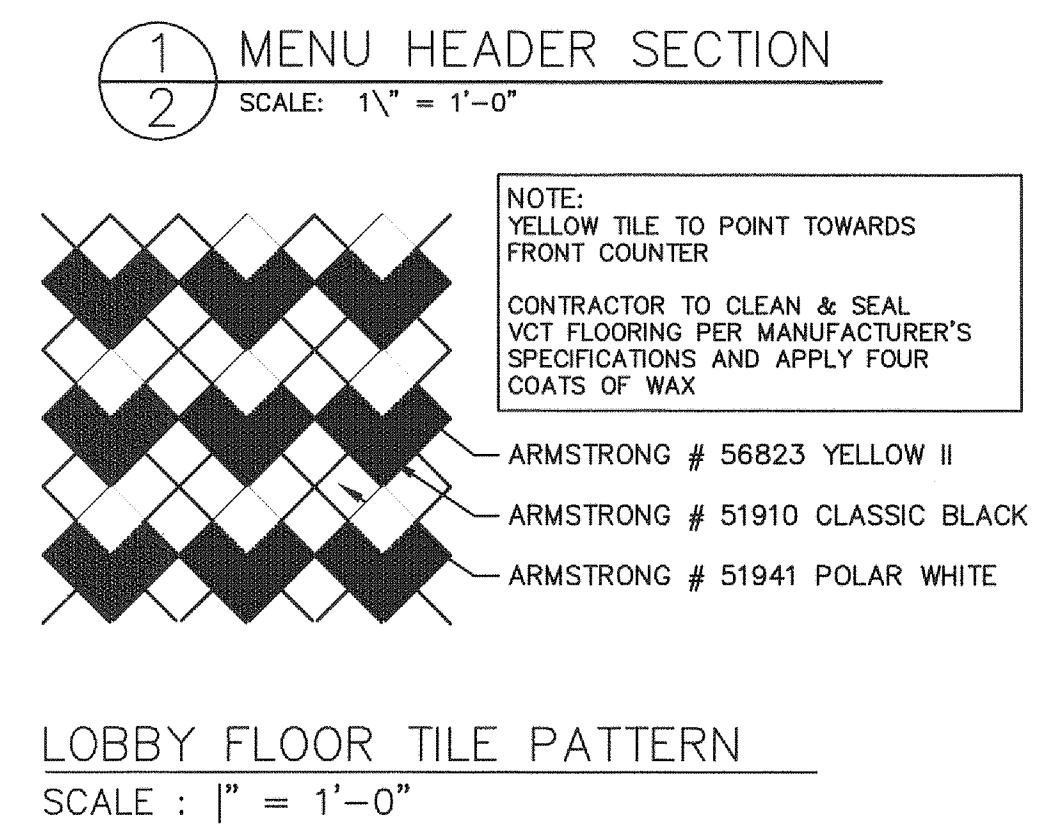
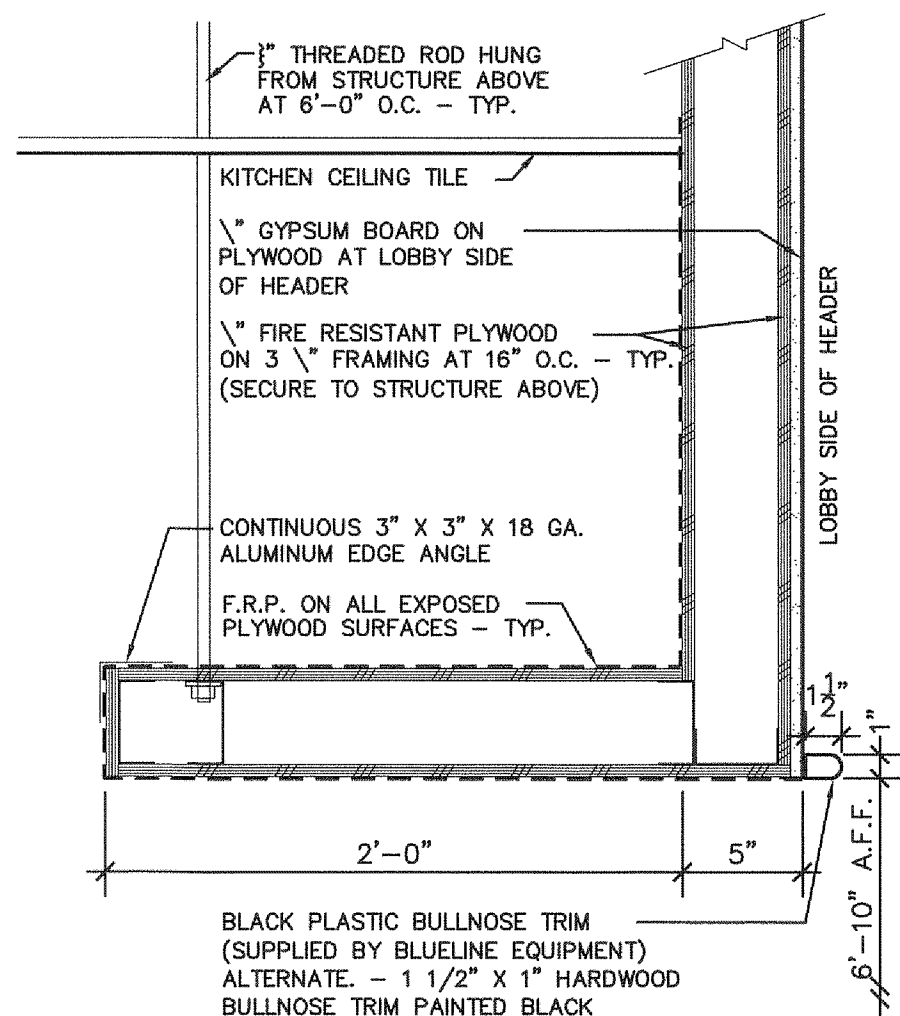
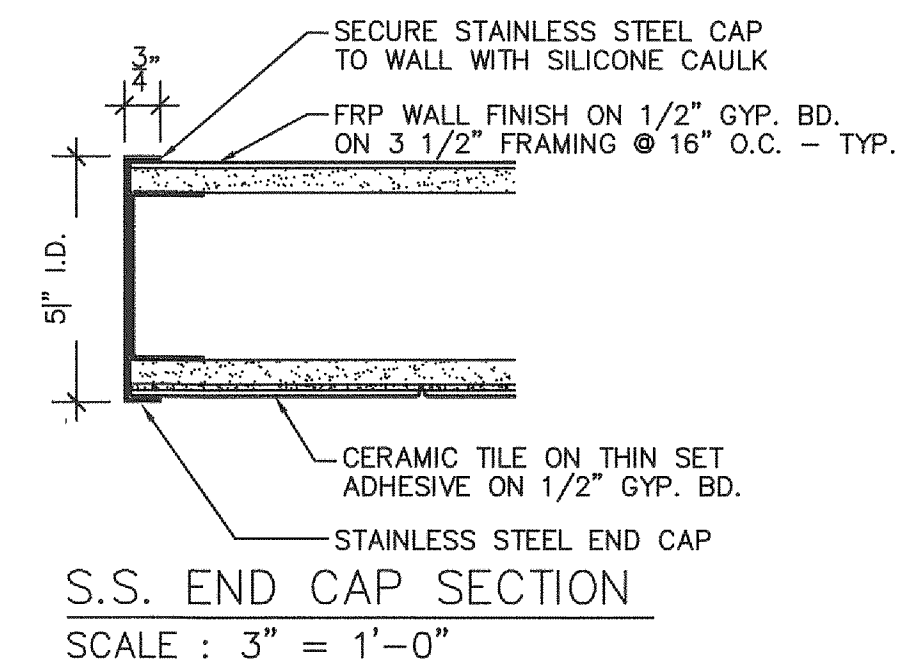
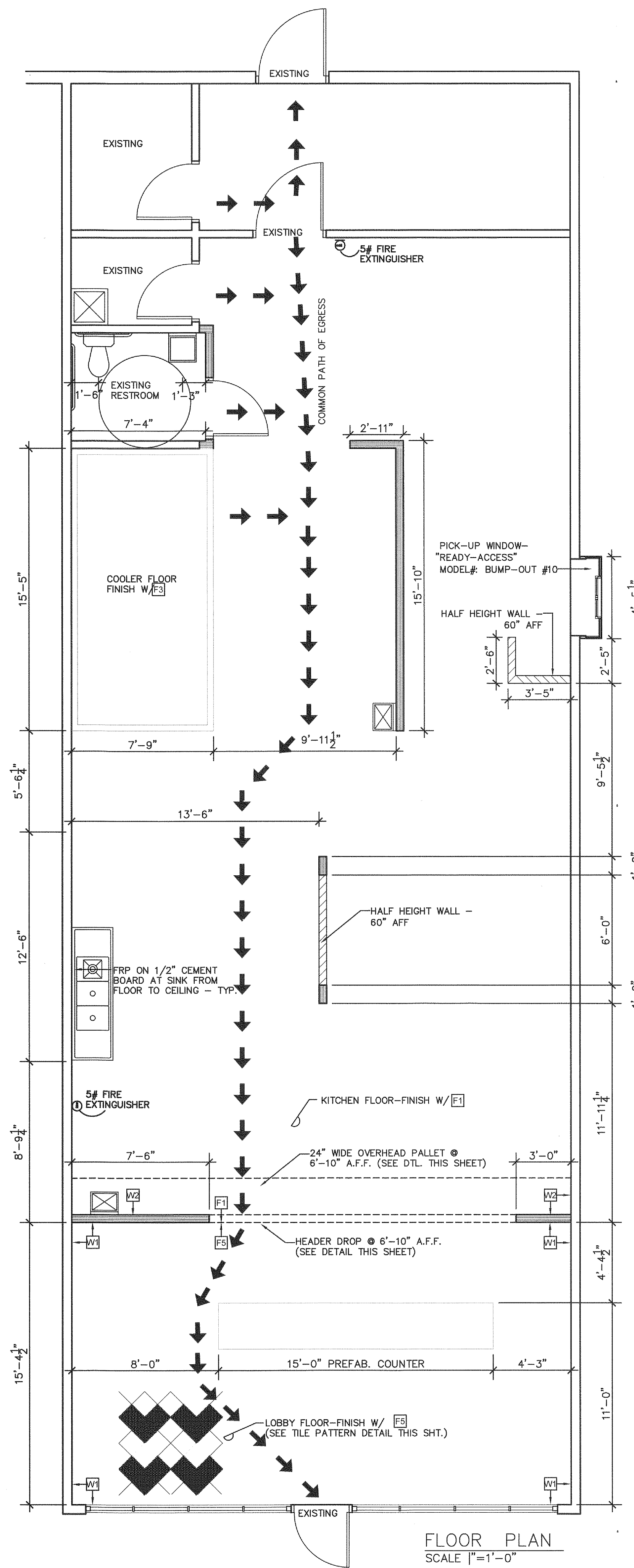
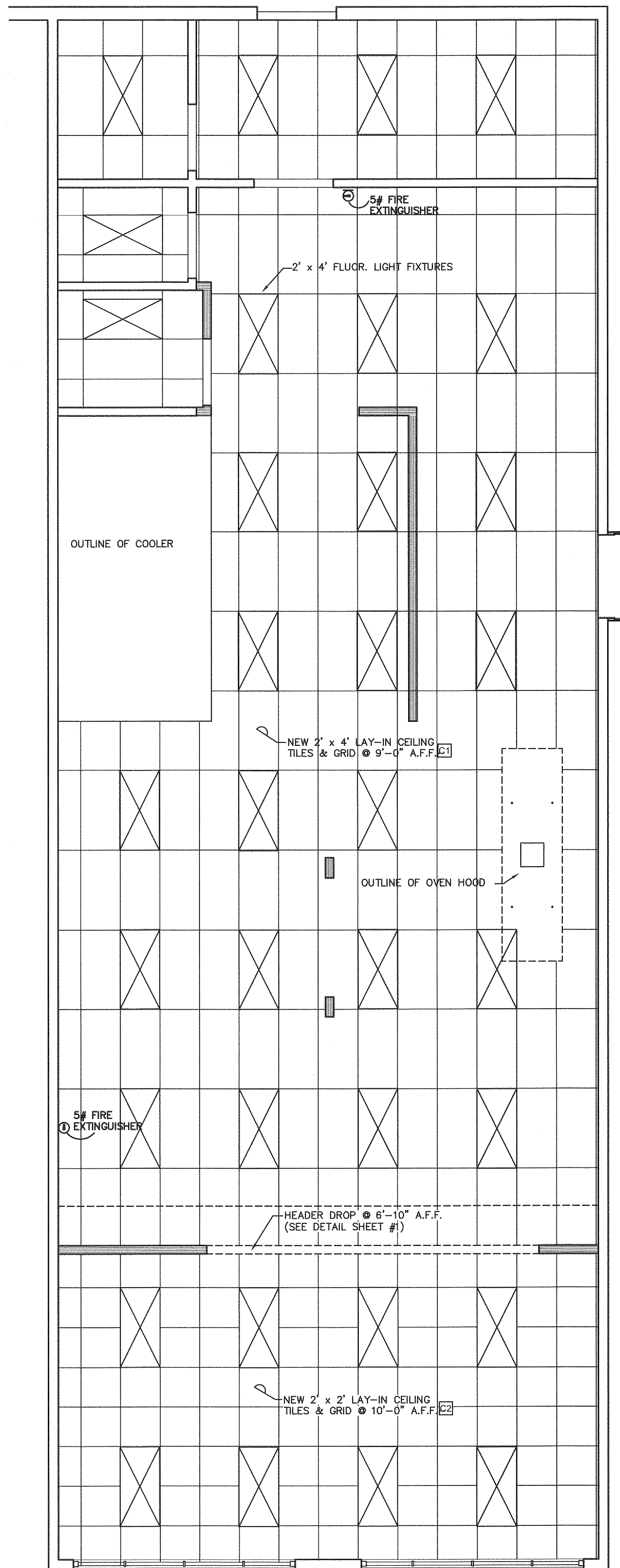
33 Rock Hill Road, Suite 350  
Bala Cynwyd, PA 19004

Karen Martin  
Phone: (717) 848-6136  
E-Mail: karen@pomre.com



Pomegranate  
REAL ESTATE  
POMRE.COM





FINISH SCHEDULE	
FINISH NOTES: 1. ALL KITCHEN WALL FINISHES ARE TYPE W2 WITH A 4" VINYL COVE BASE UNLESS NOTED OTHERWISE. 2. ALL LOBBY WALL FINISHES ARE TYPE W3 TO 6'-10" A.F.F. WITH GYP. BD. PAINTED [P1] FROM 6'-10" A.F.F. TO CEILING UNLESS NOTED OTHERWISE. (SEE ELEVATIONS SH. 2) 3. ALL RESTROOM WALL FINISHES ARE TYPE W2 UNLESS NOTED OTHERWISE.	
FLOORING	
F1	KITCHEN: VINYL COMPOSITE TILE 12"x12"x1/8" ARMSTRONG, STANDARD EXCELON IMPERIAL TEXTURE, 81941, POLAR WHITE. CONTACT: www.armstrongfloors.com 800-233-3823 ALTERNATE: AZROCK, CORTINA COLORS, V-682, CLOUD WHITE. CONTACT: www.azrock.com 800-366-2699
F5	LOBBY: CREATE 24" x 24" CHECKERBOARD PATTERN ON 45° ANGLE WITH DALTILE, 12" x 12", COLOUR SCHEME, ARCTIC WHITE SPECKLED B926 & BLACK SPECKLED B927. 3/16" GROUT JOINTS, HYDROMENT, H144 MISTY GRAY. CONTACT: www.daltile.com 616-862-4748 ALTERNATE: CREATE 24" x 24" CHECKERBOARD PATTERN ON 45° ANGLE WITH STONEPEAK CERAMICS, INC., 12" x 12", NEW BASICS, #USM1212016 FROST MATTE & #USM1212020 QUARTZ MATTE. 3/16" GROUT JOINTS, HYDROMENT, H144 MISTY GRAY. CONTACT: www.stonepeakceramics.com 810-459-1009 ALTERNATE: www.bostik.com 800-726-7845
WALLS	
W1	6" x 6" CERAMIC WALL TILE, OLYMPIA TILE / COLOUR AND DIMENSIONS BY TGT CERAMICS, WARM WHITE GLOSSY, GLOSSY BLACK GROUT WBOSTIK, HYDROMENT, H144 MISTY GRAY. CONTACT: www.lympiatile.com 800-687-8453 ALTERNATES: DALTILE, SEMI GLOSS, 0100 WHITE & K111 BLACK. GROUT W/MAPEI, 27 SILVER. CONTACT: www.daltile.com 616-862-4748 AMERICAN OLEAN, BRIGHT, 0090 WHITE & 0049 GLOSS BLACK. GROUT W/MAPEI, 27 SILVER. CONTACT: www.mapei.com 800-426-2734 WALL BASE: PROVIDE 4" x 6" SANITARY COVE BASE, FLORIDA TILE, BRIGHT, S-3419-S BLACK. GROUT WBOSTIK, HYDROMENT, H144 MISTY GRAY. CONTACT: www.flortile.com 800-352-8453 ALTERNATE: DALTILE, SANITARY COVE BASE, K111 BLACK. GROUT W/MAPEI, 27 SILVER. CONTACT: www.daltile.com 616-862-4748 ALTERNATE: MARLITE, PVC BASE MOLDING, P200 BLACK. CONTACT: www.marlitel.com 800-371-1221
W2	FIBERGLASS REINFORCED POLYESTER PANEL (FRP), GLASBORD, 85 WHITE EMBOSSED, CLASS C. CONTACT: www.crane.composites.com 800-435-0080
W3	FIBERGLASS REINFORCED POLYESTER PANEL (FRP), MATREX ST, 1130 COTTON WHITE. CONTACT: www.crane.composites.com 800-435-0080
CEILINGS	
C1	KITCHEN CEILING - 24" x 48" x 1/2" LAY-IN PANEL, UNITED STATES GYPSUM (USG), SHEETROCK, CLIMAPLUS, 3270 WHITE, VINYL FINISH. CONTACT: www.usg.com 800-950-3839
C2	LOBBY CEILING - 24" x 24" x 5/8" LAY-IN PANEL, ARMSTRONG, DUNE 1774, WHITE, REGULAR EDGE DETAIL. CONTACT: www.armstrong.com/ceilings 877-276-7876 ALTERNATE: CERTAINTEED, CASHERS, CM-454 WHITE W/REVEAL EDGE. CONTACT: www.certainteed.com 800-233-9990 ALTERNATE: USG, ECLIPSE CLIMAPLUS, SLT EDGE, 76775 WHITE. CONTACT: www.usg.com 800-950-3839 NOTE: PROVIDE MATCHING TEE GRID SYSTEM
PAINT	
P1	BENJAMIN MOORE, INTERIOR READY MIXED, I79 ATRIUM WHITE. CONTACT: www.benjaminmoore.com 800-344-0400 NOTE: USE BENJAMIN MOORE ECO SPEC EGGSHELL ENAMEL 223 FOR INTERIOR. USE BENJAMIN MOORE EGGSHELL FINISH HOUSE PAINT FOR EXTERIOR.
GENERAL NOTES	
1. ALL WORK SHALL CONFORM TO ALL FEDERAL, STATE AND MUNICIPAL CODES HAVING JURISDICTION OVER THIS PROJECT. 2. CONTRACTOR SHALL VISIT THE SITE PRIOR TO CONTRACT TO VERIFY EXISTING FIELD CONDITIONS. ALL EXISTING DIMENSIONS SHALL BE VERIFIED AND/OR GENERAL CONTRACTOR SHALL BE RESPONSIBLE FOR SAME. 3. ANY VARIATIONS OF THE DRAWINGS TO BE APPROVED BY LITTLE CAESARS ARCHITECTURAL DEPARTMENT (313) 983-6000. 4. GENERAL CONTRACTOR TO RECEIVE, UNLOAD AND INSTALL ALL KITCHEN EQUIPMENT, FINISH MATERIALS AND ALL OTHER ITEMS DELIVERED TO STORE LOCATION. 5. GENERAL CONTRACTOR TO PROVIDE A MINIMUM OF ONE FIRE EXTINGUISHER IN COMPLIANCE WITH THE LOCAL FIRE MARSHAL. LOCATION & QUANTITY OF FIRE EXTINGUISHER(S) TO BE DETERMINED BY THE FIRE MARSHAL. 6. PROVIDE NON COMBUSTIBLE PLYWOOD BACKING IN LIEU OF GYPSUM BOARD AS BACKING FOR WALL MOUNTED WIRE SHELVES FROM 42" A.F.F. TO 90" A.F.F. SEE FLOOR/EQUIPMENT PLAN FOR SHELF LOCATIONS & WALL FINISH. 7. OVEN TO BE SET IN PLACE PRIOR TO INSTALLATION OF COUNTERS. 8. QUARRY TILE TO BE SEALED WITH SILICONE SEALANT. 9. WALL PARTITION KEY: TYP. INTERIOR PARTITION WALL, 1/2" GYPSUM BOARD EACH SIDE OF 1 1/2" x 3 1/2" 20 GA. METAL STUDS AT 16" O.C. WITH INDICATED FINISH. EXISTING WALL EXISTING WALL TO BE REMOVED (SHOWN DASHED) HALF HEIGHT WALL [80" AFF] 10. EQUIPMENT INDICATOR □ INTERIOR FINISH INDICATOR 11. ∇ INDICATES PHONE LOCATION ON FLOOR/EQUIPMENT PLAN.	

REVISIONS: ISSUE 'A' - 07/31/2018

FLOYD SCHEXNAYDER, ARCHITECT  
 421 W. Harwood Road  
 Hurst, Texas 76054  
 Phone: 817-285-7444  
 Fax: 817-285-7318

Little Caesar's  
 STORE # 1891-0008  
 15 SHIPPENSBURG SHOPPING CENTER  
 SHIPPENSBURG TOWNSHIP, PENNSYLVANIA

FLOOR PLAN  
 REFLECTED CEILING PLAN

JOB #  
 13-023  
 SHEET NUMBER  
**A1**