

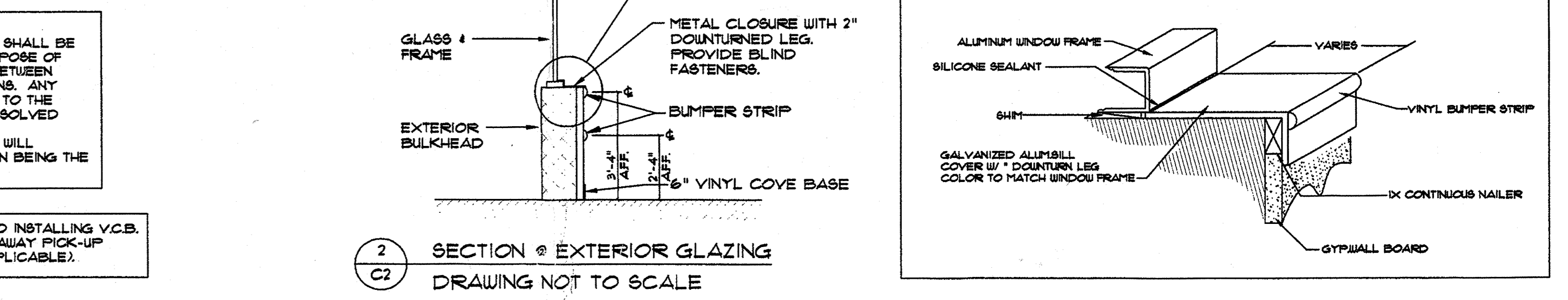
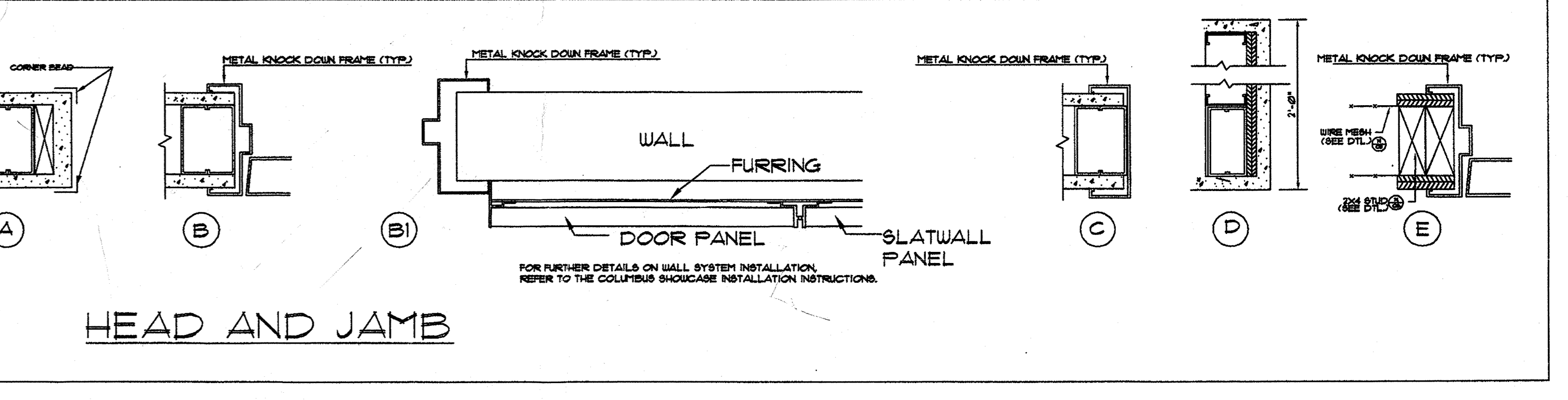
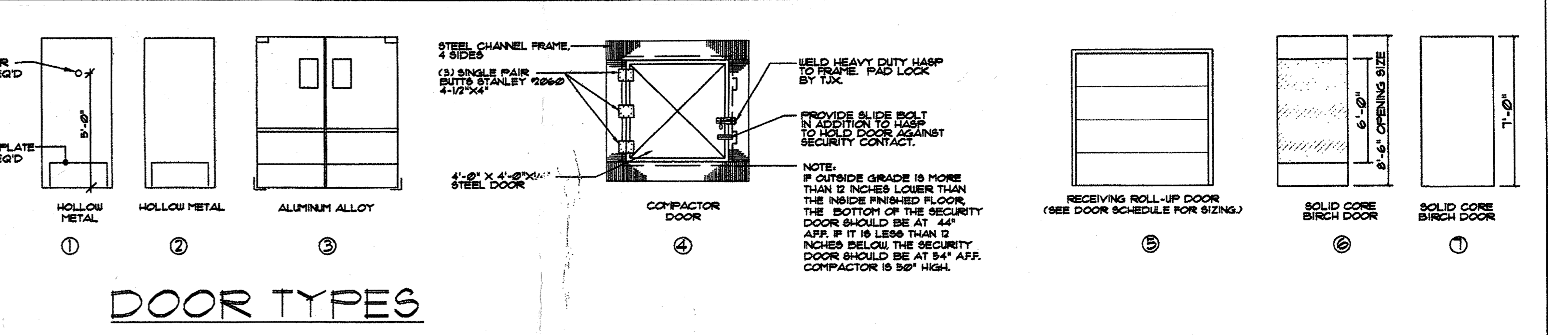
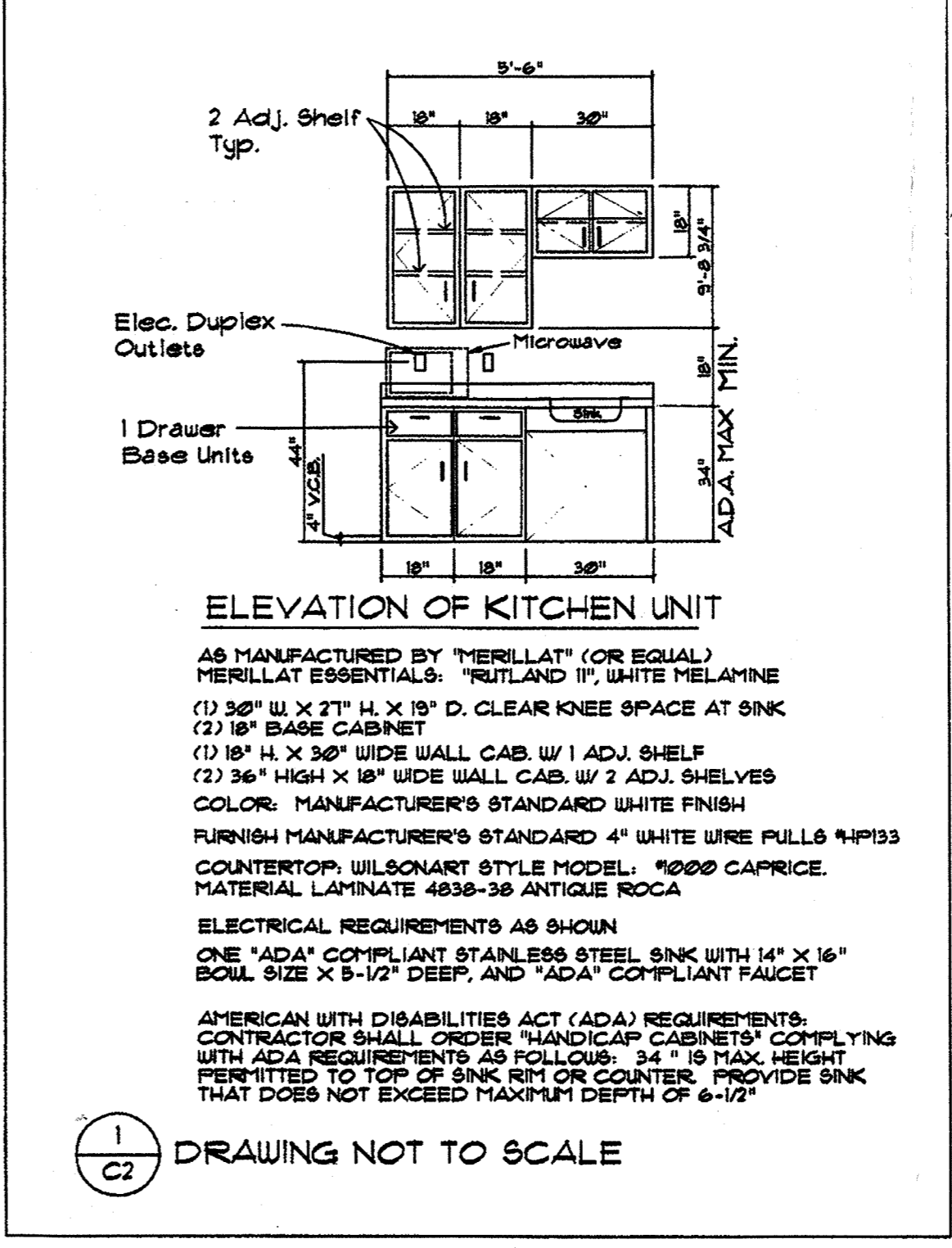
ALL TOILET FIXTURES, HARDWARE, ACCESSORIES, MIRRORS, AND FINISHES TO BE SUPPLIED BY GC AS PER TENANT SPECS.
 TOILET PAPER HOLDERS AND ALL DISPENSERS ARE SUPPLIED BY TENANT AND INSTALLED BY GC.
 GC IS RESPONSIBLE TO PROVIDE ALL BLOCKING FOR TOILET ROOY ACCESSORY INSTALLATION. PLEASE COORDINATE WITH SHEET CA OF THE CRITERIA PLANS AND THE TJK PROJECT MANUAL FOR EXACT LOCATIONS.

NO.	HARDWARE	MANUFACTURER
1	DOOR HINGE	BRASS
2	DOOR LOCK	BRASS
3	DOOR HANDLE	BRASS
4	DOOR STOP	BRASS
5	DOOR BUMPER	BRASS
6	DOOR SILENER	BRASS
7	DOOR STRIKE	BRASS
8	DOOR LATCH	BRASS
9	DOOR STOP	BRASS
10	DOOR BUMPER	BRASS
11	DOOR SILENER	BRASS
12	DOOR STRIKE	BRASS
13	DOOR LATCH	BRASS
14	DOOR STOP	BRASS
15	DOOR BUMPER	BRASS
16	DOOR SILENER	BRASS
17	DOOR STRIKE	BRASS
18	DOOR LATCH	BRASS
19	DOOR STOP	BRASS
20	DOOR BUMPER	BRASS
21	DOOR SILENER	BRASS
22	DOOR STRIKE	BRASS
23	DOOR LATCH	BRASS
24	DOOR STOP	BRASS
25	DOOR BUMPER	BRASS
26	DOOR SILENER	BRASS
27	DOOR STRIKE	BRASS
28	DOOR LATCH	BRASS
29	DOOR STOP	BRASS
30	DOOR BUMPER	BRASS
31	DOOR SILENER	BRASS
32	DOOR STRIKE	BRASS
33	DOOR LATCH	BRASS
34	DOOR STOP	BRASS
35	DOOR BUMPER	BRASS
36	DOOR SILENER	BRASS
37	DOOR STRIKE	BRASS
38	DOOR LATCH	BRASS
39	DOOR STOP	BRASS
40	DOOR BUMPER	BRASS
41	DOOR SILENER	BRASS
42	DOOR STRIKE	BRASS
43	DOOR LATCH	BRASS
44	DOOR STOP	BRASS
45	DOOR BUMPER	BRASS
46	DOOR SILENER	BRASS
47	DOOR STRIKE	BRASS
48	DOOR LATCH	BRASS
49	DOOR STOP	BRASS
50	DOOR BUMPER	BRASS

DOOR LOCATION	NO.	DESCRIPTION	REMARKS
VESTIBULE EXT. DR. 1	1	GLASS DOOR WITH ALUMINUM FRAME	GLASS DOOR WITH ALUMINUM FRAME
VESTIBULE EXT. DR. 2	2	GLASS DOOR WITH ALUMINUM FRAME	GLASS DOOR WITH ALUMINUM FRAME
VESTIBULE INT. DR. 3	3	GLASS DOOR WITH ALUMINUM FRAME	GLASS DOOR WITH ALUMINUM FRAME
VESTIBULE INT. DR. 4	4	GLASS DOOR WITH ALUMINUM FRAME	GLASS DOOR WITH ALUMINUM FRAME
MANAGER'S OFFICE	5	GLASS DOOR WITH ALUMINUM FRAME	GLASS DOOR WITH ALUMINUM FRAME
CASH OFFICE	6	GLASS DOOR WITH ALUMINUM FRAME	GLASS DOOR WITH ALUMINUM FRAME
LOUNGE	7	GLASS DOOR WITH ALUMINUM FRAME	GLASS DOOR WITH ALUMINUM FRAME
COAT ROOM	8	GLASS DOOR WITH ALUMINUM FRAME	GLASS DOOR WITH ALUMINUM FRAME
PROCESSING ROOM	9	GLASS DOOR WITH ALUMINUM FRAME	GLASS DOOR WITH ALUMINUM FRAME
SALES AREA	10	GLASS DOOR WITH ALUMINUM FRAME	GLASS DOOR WITH ALUMINUM FRAME
RESTROOMS	11	GLASS DOOR WITH ALUMINUM FRAME	GLASS DOOR WITH ALUMINUM FRAME
JANITOR'S CLOSET	12	GLASS DOOR WITH ALUMINUM FRAME	GLASS DOOR WITH ALUMINUM FRAME
STORAGE ROOM	13	GLASS DOOR WITH ALUMINUM FRAME	GLASS DOOR WITH ALUMINUM FRAME
HALL	14	GLASS DOOR WITH ALUMINUM FRAME	GLASS DOOR WITH ALUMINUM FRAME
COAT ROOM	15	GLASS DOOR WITH ALUMINUM FRAME	GLASS DOOR WITH ALUMINUM FRAME
COAT ROOM	16	GLASS DOOR WITH ALUMINUM FRAME	GLASS DOOR WITH ALUMINUM FRAME
COAT ROOM	17	GLASS DOOR WITH ALUMINUM FRAME	GLASS DOOR WITH ALUMINUM FRAME
COAT ROOM	18	GLASS DOOR WITH ALUMINUM FRAME	GLASS DOOR WITH ALUMINUM FRAME
COAT ROOM	19	GLASS DOOR WITH ALUMINUM FRAME	GLASS DOOR WITH ALUMINUM FRAME
COAT ROOM	20	GLASS DOOR WITH ALUMINUM FRAME	GLASS DOOR WITH ALUMINUM FRAME
COAT ROOM	21	GLASS DOOR WITH ALUMINUM FRAME	GLASS DOOR WITH ALUMINUM FRAME
COAT ROOM	22	GLASS DOOR WITH ALUMINUM FRAME	GLASS DOOR WITH ALUMINUM FRAME
COAT ROOM	23	GLASS DOOR WITH ALUMINUM FRAME	GLASS DOOR WITH ALUMINUM FRAME
COAT ROOM	24	GLASS DOOR WITH ALUMINUM FRAME	GLASS DOOR WITH ALUMINUM FRAME
COAT ROOM	25	GLASS DOOR WITH ALUMINUM FRAME	GLASS DOOR WITH ALUMINUM FRAME
COAT ROOM	26	GLASS DOOR WITH ALUMINUM FRAME	GLASS DOOR WITH ALUMINUM FRAME
COAT ROOM	27	GLASS DOOR WITH ALUMINUM FRAME	GLASS DOOR WITH ALUMINUM FRAME
COAT ROOM	28	GLASS DOOR WITH ALUMINUM FRAME	GLASS DOOR WITH ALUMINUM FRAME
COAT ROOM	29	GLASS DOOR WITH ALUMINUM FRAME	GLASS DOOR WITH ALUMINUM FRAME
COAT ROOM	30	GLASS DOOR WITH ALUMINUM FRAME	GLASS DOOR WITH ALUMINUM FRAME
COAT ROOM	31	GLASS DOOR WITH ALUMINUM FRAME	GLASS DOOR WITH ALUMINUM FRAME
COAT ROOM	32	GLASS DOOR WITH ALUMINUM FRAME	GLASS DOOR WITH ALUMINUM FRAME
COAT ROOM	33	GLASS DOOR WITH ALUMINUM FRAME	GLASS DOOR WITH ALUMINUM FRAME
COAT ROOM	34	GLASS DOOR WITH ALUMINUM FRAME	GLASS DOOR WITH ALUMINUM FRAME
COAT ROOM	35	GLASS DOOR WITH ALUMINUM FRAME	GLASS DOOR WITH ALUMINUM FRAME
COAT ROOM	36	GLASS DOOR WITH ALUMINUM FRAME	GLASS DOOR WITH ALUMINUM FRAME
COAT ROOM	37	GLASS DOOR WITH ALUMINUM FRAME	GLASS DOOR WITH ALUMINUM FRAME
COAT ROOM	38	GLASS DOOR WITH ALUMINUM FRAME	GLASS DOOR WITH ALUMINUM FRAME
COAT ROOM	39	GLASS DOOR WITH ALUMINUM FRAME	GLASS DOOR WITH ALUMINUM FRAME
COAT ROOM	40	GLASS DOOR WITH ALUMINUM FRAME	GLASS DOOR WITH ALUMINUM FRAME
COAT ROOM	41	GLASS DOOR WITH ALUMINUM FRAME	GLASS DOOR WITH ALUMINUM FRAME
COAT ROOM	42	GLASS DOOR WITH ALUMINUM FRAME	GLASS DOOR WITH ALUMINUM FRAME
COAT ROOM	43	GLASS DOOR WITH ALUMINUM FRAME	GLASS DOOR WITH ALUMINUM FRAME
COAT ROOM	44	GLASS DOOR WITH ALUMINUM FRAME	GLASS DOOR WITH ALUMINUM FRAME
COAT ROOM	45	GLASS DOOR WITH ALUMINUM FRAME	GLASS DOOR WITH ALUMINUM FRAME
COAT ROOM	46	GLASS DOOR WITH ALUMINUM FRAME	GLASS DOOR WITH ALUMINUM FRAME
COAT ROOM	47	GLASS DOOR WITH ALUMINUM FRAME	GLASS DOOR WITH ALUMINUM FRAME
COAT ROOM	48	GLASS DOOR WITH ALUMINUM FRAME	GLASS DOOR WITH ALUMINUM FRAME
COAT ROOM	49	GLASS DOOR WITH ALUMINUM FRAME	GLASS DOOR WITH ALUMINUM FRAME
COAT ROOM	50	GLASS DOOR WITH ALUMINUM FRAME	GLASS DOOR WITH ALUMINUM FRAME

* OPENING SIZE IS THE ACTUAL SIZE OF THE DOOR UNLESS OTHERWISE NOTED.
 REFER TO FIXTURE INSTALLATION MANUAL (P-113) FOR 'ADA' EXIT SIGNS AS NOTED ON DOOR # HARDWARE SCHEDULE.

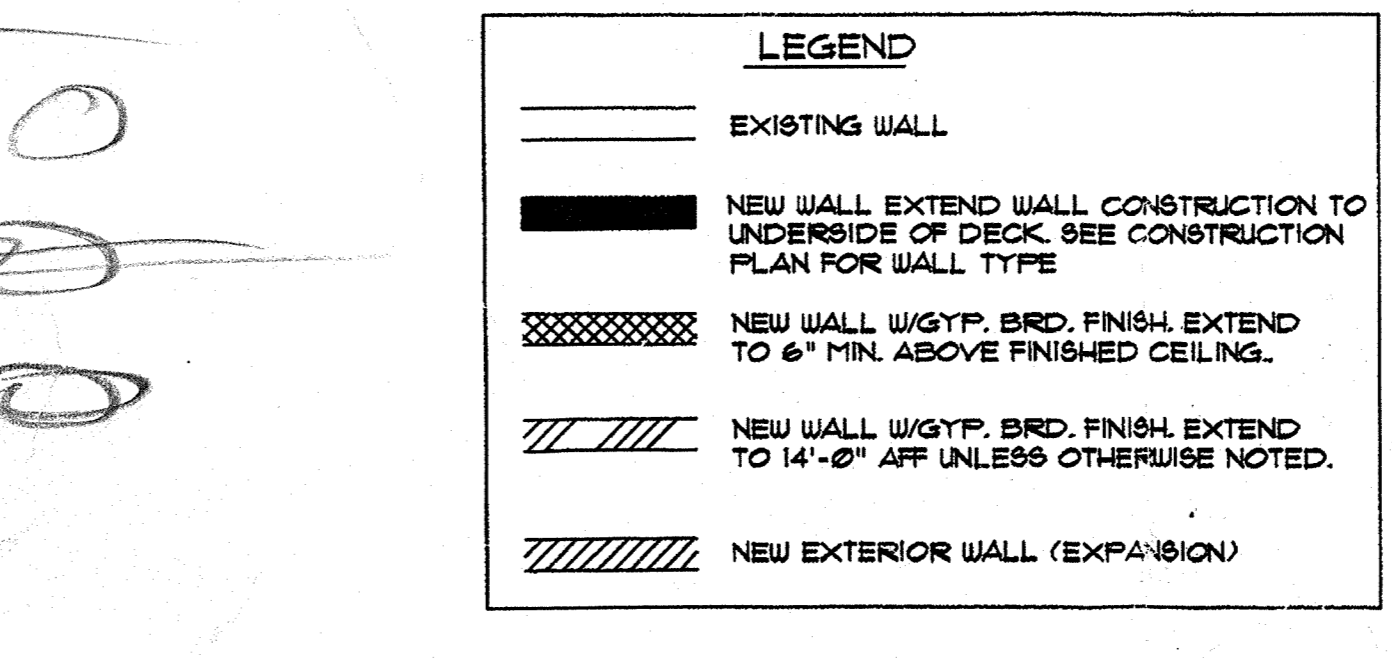
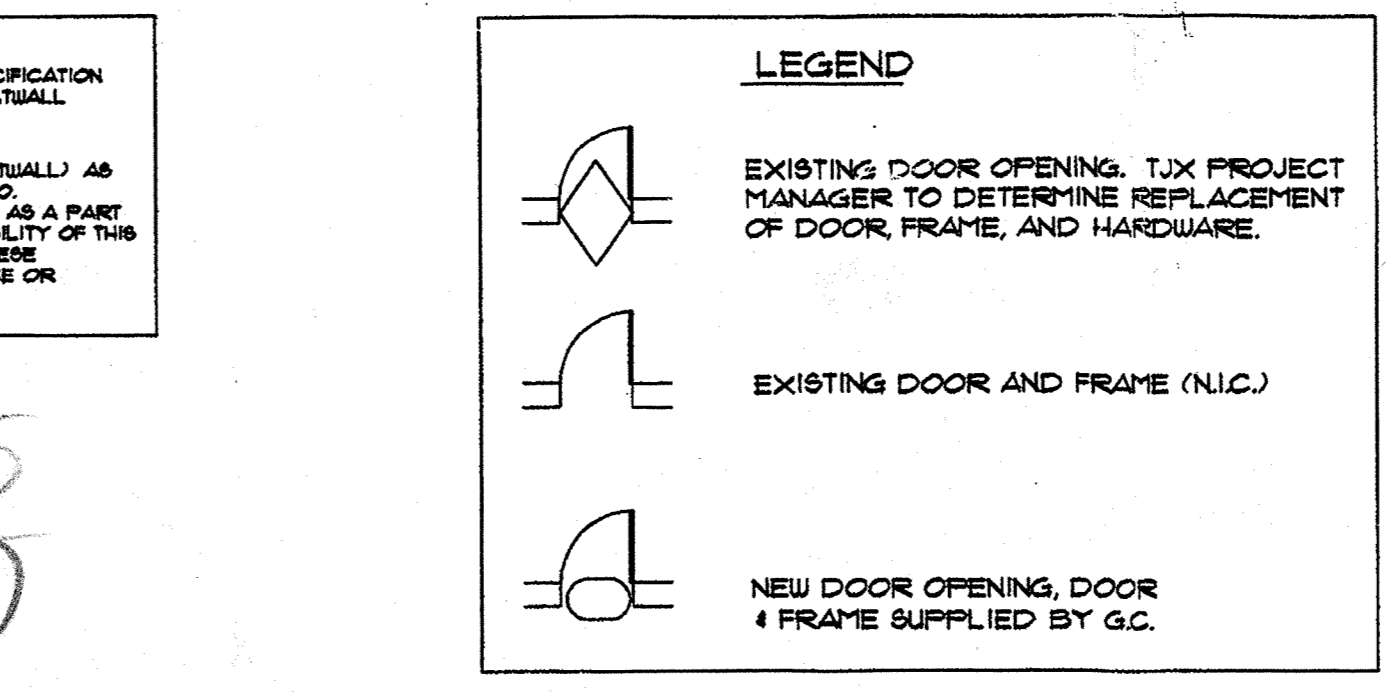
NO.	AREAS	FLOOR	HGO ROOM MATERIAL & FINISH SCHEDULE				REMARKS
			BASE	WALL	CEILING	CEILING HEIGHT	
1	VESTIBULE					9'-0"	NOTE: SALES AREA CEILING HEIGHT VARIES-SEE CEILING DETAIL DUG CD.
2	SALES					9'-0"	
3	MANAGER'S OFFICE					9'-0"	
4	CASH OFFICE					9'-0"	
5	LP OFFICE					9'-0"	
6	HALL AT RESTROOMS					9'-0"	
7	MEN'S TOILET					9'-0"	
8	WOMEN'S TOILET					9'-0"	
9	LOUNGE					9'-0"	
10	JANITOR'S CLOSET					9'-0"	
11	PROCESSING ROOM					9'-0"	
12	ELECTRIC ROOM					9'-0"	
13	SPRINKLER RISER ROOM					9'-0"	
14	STORAGE ROOM # RUGS					9'-0"	
15	HALL AT CASH					9'-0"	
16	EGRESS HALL					9'-0"	
17	COAT ROOM					9'-0"	



G.C. NOTE:
 A WALK THROUGH OF THE BUILDING SHALL BE CONDUCTED BY TJK FOR THE PURPOSE OF DISCOVERY OF INCONSISTENCIES BETWEEN BID DOCUMENTS & FIELD CONDITIONS. ANY INCONSISTENCY IS TO BE BROUGHT TO THE ATTENTION OF TJK. IT WILL BE RESOLVED BY ADDENDUM.
 FAILURE TO NOTE INCONSISTENCIES WILL RESULT IN THE COST OF RESOLUTION BEING THE SOLE RESPONSIBILITY OF THE GC.

G.C. IS RESPONSIBLE FOR PROVIDING AND INSTALLING V.C.B. ON ALL CHECKOUTS, SERVICE DESK, LAYAWAY PICK-UP COUNTER, AND JEWELRY CENTER (IF APPLICABLE).

SLATWALL SYSTEMS:
 REFER TO SECTION CA OF THE OUTLINE SPECIFICATION FOR MORE RESPONSIBILITY REGARDING SLATWALL PANEL SYSTEMS.
 MANUFACTURED WALL PANEL SYSTEMS SHALL BE MANUFACTURED BY COLSON'S BULKHEAD CO. INSTALLATION INSTRUCTIONS ARE INCLUDED AS A PART OF THE PACKAGE AND IT IS THE RESPONSIBILITY OF THE CONTRACTOR TO BE FAMILIAR WITH THESE INSTRUCTIONS PRIOR TO PROVIDING A PRICE OR COMMITMENT OF WORK.



- PROVIDE BURGLAR PROOF HINGES NRP WHERE EXPOSED TO OUTSIDE OR COMMON AREAS.
- PROVIDE DOOR STOP ON ALL DOORS (INCLUDING BARE DOORS) WHERE THEY ARE LIABLE TO DAMAGE THE WALL OR ADJACENT FIXTURES.
- PAINT ALL METAL DOORS, REFER TO INTERIOR ELEVATIONS SHEET.
- ALUMINUM ALLOY DOUBLE ACTION DOOR (ONE OR TWO DOORS) TO BE "HEAVY DUTY" TYPE.
- ALL LOCKS AND LOCKING DEVICES ARE TO BE SUPPLIED WITH CONST. CORES.
- PAINT ALL METAL DOORS, REFER TO INTERIOR ELEVATIONS SHEET.
- PROVIDE KAMNERS STYLE #2 PUSH-PULL ON ALUMINUM AND GLASS DOORS. DO NOT INSTALL ROLL UP DOORS NO. 3 (VST. SIDE).
- DOOR HOLDERS TO BE INSTALLED ON THE KICK-PLATE SIDE OF DOOR EXCEPT AT TOILET ROOMS.
- FOR EXTERIOR DOORS, FULL TO BE INSTALLED ON INSIDE OF DOOR ABOVE DETEX. ALUMINUM UTILITY SADDLE 4"x1/2".
- THRESHOLDS FOR EXTERIOR HOLLOW METAL DOORS BY ZERO INTERNATIONAL #6544, ALUMINUM UTILITY SADDLE 4"x1/2".

NO.	REVISIONS	DATE	BY
1	EXPANDED AISLE WIDTHS BY REDUCING SIZE OF CENTER ISLAND	1/2/11	JLP
2	NO CHANGES TO THIS SHEET.	3/2/11	JLP

HomeGoods (HGO)
 1100 Centre Road, Framingham, Massachusetts 01701
 STORE LOCATION: **YORK, PA**
 DRAWING DESCRIPTION: **CONSTRUCTION PLAN**
 SCALE: 3/32" = 1'-0"
 DATE: 11/15/10
 STORE TYPE: **101**
 DRAWING NO: **DB-1180A**

ALL GLASS INCLUDING GLASS DOORS TO BE PROTECTED BY A HORIZONTAL MULLION ON BOTH SIDES #2'-4" AFF.

G.C. SHALL BLOCK UP EXISTING MASONRY OPENING TO MATCH EXISTING EXTERIOR CONSTRUCTION.

SEE NOTE ON INTERIOR ELEVATIONS SHT. FOR GLAZING REQUIREMENTS @ VESTIBULE.

110
35
185

17600

15
63
145

17500
200
950